



Module



CAN/GPS connector



TYCO 34PM

Key Features:

- *Datalogger with 97 channels:*
 - 64 CAN
 - 8 Analog input
 - 3 Digital input
 - 1 Lap input
 - 1 Digital output
 - 3 Acceleration (internal sensor)
 - 2 internal channels (Vext/CPU-Temp)
 - 15 GPS channels
- *2 completely independent CAN lines with full CAN Routing*
- *GPS laptime (standard)*
- *Integrated 3 Axis accelerometers ± 6G*
- *External power supply 12-20V*
- *Storage rate up to 400 Hz / channel*
- *All settings individually selectable (each channel)*
- *Compact and lightweight (150g) housing*
- *Easy connection of sensor signals through single AMP connector (= Interface Unit)*

LG-µCAN11_Pro-000

Advanced Datalogger and Interface Unit

Technical Specifications

Logging (predefined)			
Channels		97	
Memory	GB	2	
Storage rate	Hz	Max. 400/Ch	
Internal sampling rate	kHz	6.4	
CAN lines(factory default)			
<ul style="list-style-type: none"> • 2D • EXT 	In-/Output Input		
CAN channels		64	
Speed	kBaud	125 - 1000	
CAN-line termination switchable		✓ (off/120Ω)	
CAN identifiers		unlimited	
Identifiers CAN 2.0A(base frame)	bit	11	
Identifiers CAN 2.0B(extended frame)	bit	29	
Analog input channels			
Single ended inputs (AIN1. to AIN8)		8	
<ul style="list-style-type: none"> • With pullup@5V AIN1 2 5 6 • Without pullup AIN3 4 7 8 • Resolution • Input voltage range • Input filter • Cut-off frequency (-3dB) • Damping (per decade) 	Bit V Hz dB	14 0-5 100 12	
Digital input channels			
Input capture: DIN1 - DIN3		3	
DIN1 - DIN3 with pullup@5V		✓	
Max input frequency	kHz	10	
DIN1/DIN3 (V_front, RPMSprkt)		Lo	Hi
Threshold (level1)	V	1.7	3.4
Threshold (level2)	V	0.4	1.0
Cut-off frequency (-3dB)	kHz	10	
DIN2 (RPM)			
Threshold (level1)	V	3.5	8.3
Threshold (level2)	V	1.7	3.4
Cut-off frequency (-3dB)	kHz	4.8	
LAP			
With pullup@5V		✓	
Cut-off frequency (-3dB)	Hz	100	
Resolution	mV	5	
Trigger threshold programmable		✓	
Digital output channel			
Digital output (with open collector)		1	
Full protected		✓	
Sink current (up to)	mA	200	
Internal channels (resolution)			
3 axis acceleration	[m/s ²]	0.02	
VextMsg	[V]	0.01	
CPUTempMsg	[°C]	0.1	
Electrical characteristics			
Power supply	[V]	12-20	
Or USB Bus powered(5V) as well*			
Current consumption:			
@12V w/o GPS w/o Sensors	[mA]	90	
@12V w GPS w/o Sensors	[mA]	120	
@5V w/o GPS and Sensors	[mA]	350	
Sensor supplying max. values			
Max. current output(+12V)	[mA]	200	
Max current output(+5V)	[mA]	100	
Σ max. output	[W]	2.5	
Environmental characteristics			
Operating temperature	°C	0 - 75	
Humidity	%	0 to 95	
Sealing class	IP	66	
Vibration resistance			
Shock	G	40	
During time period of	ms	10	
Vibration tested @	G	12	
Measured with	Hz	1000	
Ordering information			
For ordering this product use 2D article number LG-µCAN11_Pro-000			

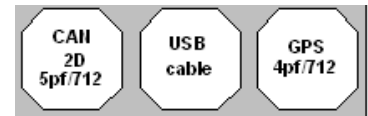
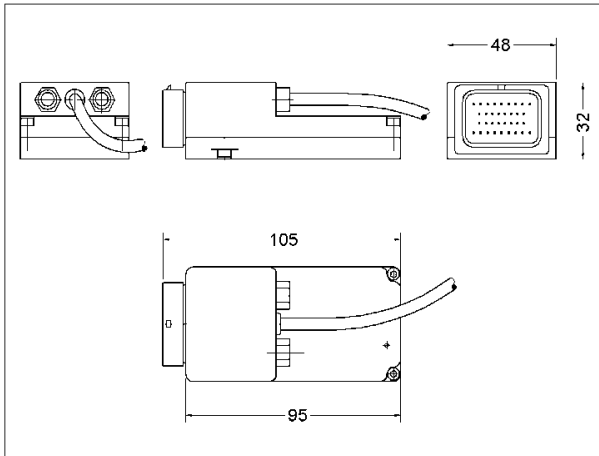
*If the logger is only supplied by USB-power during setup or download all analog, digital and GPS input channels are switched off to ensure no damage is done to USB port of PC due to overload.

On power up the logger sends automatically a CAN message on CAN 2D, ID 0x01 at baud rate 1M.

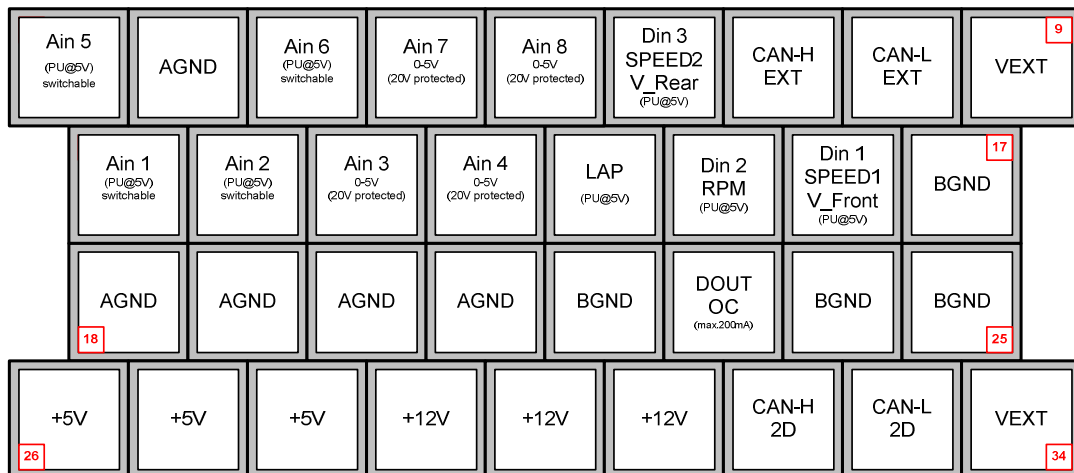
LG-µCAN11_Pro-000

Advanced Datalogger and Interface Unit

Dimensions

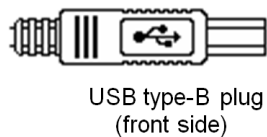
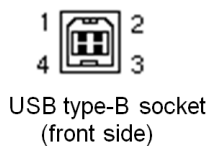


Connector Layout (34 pin AMP connector)

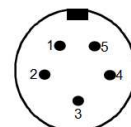


(Rear view: Tyco pin lead in)

Connector type



Binder 712, 5PF
(front side)
Plug at module



Binder 712, 5PM
(front side)
mating plug

PIN	Name	Description	Color
1	CAN H	Can Bus High	white
2	CAN L	Can Bus Low	green
3	GND	Ground	black
4	n.c.	Not connected	-
5	Vext	Power IN (4-18V)	red