

## DI-Midi11-000

## medium sized dash 1 CAN

### Features

Based on latest LCD technology 2D created a medium sized dash with integrated shift and warning LEDs. It features various alarm options, predictive laptiming, gear calculation and a fully programmable display. Very bright shift LEDs, high contrast and background lighting provides a new level of clarity.

- A graphic display with 128x64 dots can be used to show any channel or to display warning messages (indicating low oil pressure, high water temperature and low battery voltage)
- 3 extra warning LEDs on the side of the dashboard (blue, red, green)
- 1 fully programmable CAN-line (2<sup>nd</sup> optional)
- 16 online calculation channels
- Adjustable brightness of LEDs, shift LEDs and background
- Full temperature range -20°C to 70°C
- Temperature controlled contrast
- Usable as standalone display unit
- Programmable via CAN-bus and serial Com
- 4 analog input



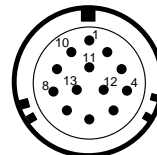
### Connector layout

### Connector type

#### Deutsch AS1 10-35 PN 13 PM

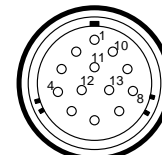
Pin	Name	Description
1	Vext	Power IN (5-24V)
2	CAN H1	CAN Bus High
3	CAN L1	CAN Bus Low
4	BGnd	Board Ground
5	Ain 1/ LAP	Analog Input/Lap
6	Ain 2	Analog Input
7	Ain 3/ CAN H2	Analog Input/CAN Bus Hi (optional)
8	RPM	Digital Input
9	Ain 4/ CAN L2	Analog Input/CAN Bus Lo (optional)
10	TxD	Communication/GPS Mouse
11	RxD	Communication/GPS Mouse
12	Gnd Mouse	Ground GPS Mouse
13	+5V Mouse	Power GPS Mouse

#### Connector at display



AS 1 10-35PN  
Front view

#### Mating plug



AS 6 10-35SN  
Frontview

## DI-Midi11-000

medium sized dash 1 CAN

### Technical specifications

#### Electrical characteristics

Power supply.....	[V]	5-24
Current consumption :		@ 12V
Shift led + background lighting off.....	[mA]	150
Shift led + background lighting on.....	[mA]	180
Shift led + background lighting + Warning light	[mA]	200
Graphic display.....	[dots]	128 x 64

#### Communications

CAN-lines.....		1
----------------	--	---

#### Channels

Calc.....		16
CAN.....		32
Analog.....		4
Event.....		9
Display.....	[pages]	3
Channels per page.....	[CH / page]	4/6/12
Programmable Shift-LEDs.....		8
Programmable Warning-LEDs.....		4

#### Mechanical

Dimensions.....	[mm <sup>3</sup> ]	90 x 60 x 14.5
Weight.....	[g]	120
Housing material.....		Aluminium

#### Connector

13pin AS 1 10-35PN connector.....		1
-----------------------------------	--	---

#### Environmental

Operating temperature.....	[°C]	-20 to +70
Humidity.....	[%]	5-95

#### Options

2nd CAN Bus  
 GPS connectivity

#### Ordering information

Art.No.:  
 DI-Midi11-000..... Display with Deutsch AS 1 10-35PN connector and 1 CAN

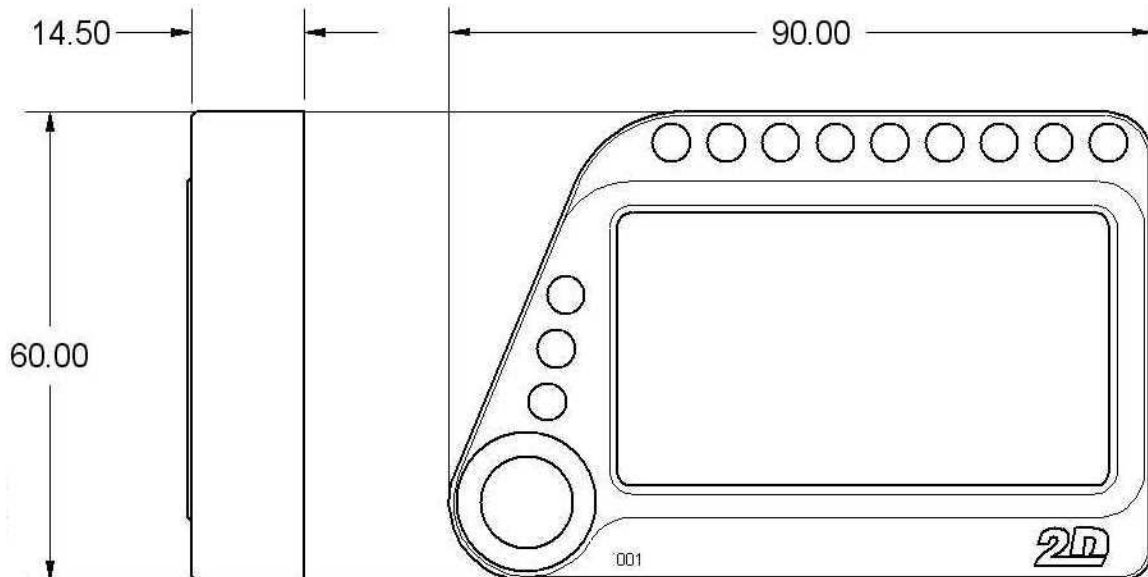
---

**DI-Midi11-000**

**medium sized dash 1 CAN**

---

**Dimensions**



---

**Documentation reference**



A documentation about operating + setting for this display is available at [www.2d-datarecording.com](http://www.2d-datarecording.com).

→ <products> <hardware> <display units> <mididash> <manual>